



FLOW RATE
(L/MIN)

3

4

5

6

7

8

9


10


11


12

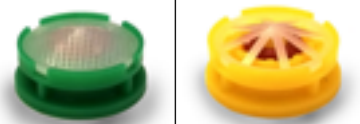
13


15


TYPE A		STANDARD MODEL	RA3 PINK	RA4 LIGHT GREY	RA5 GREEN	RA6 BROWN	RA7 BLUE	RA8 BLACK	RA9 WHITE	RA10 YELLOW	RA11 ORANGE	RA12 RED	RA13 GREY	RA15 FUXIA
		R MODEL	RA3 PINK R	RA4 LIGHT GREY R	RA5 GREEN R	RA6 BROWN R	RA7 BLUE R	RA8 BLACK R	RA9 WHITE R	RA10 YELLOW R	RA11 ORANGE R	RA12 RED R	RA13 GREY R	RA15 FUXIA R

TYPE B		STANDARD MODEL	RB3 PINK	RB4 LIGHT GREY	RB5 GREEN	RB6 BROWN	RB7 BLUE	RB8 BLACK	RB9 WHITE	RB10 YELLOW	RB11 ORANGE	RB12 RED	RB13 GREY	RB15 FUXIA
		R MODEL	RB3 PINK R	RB4 LIGHT GREY R	RB5 GREEN R	RB6 BROWN R	RB7 BLUE R	RB8 BLACK R	RB9 WHITE R	RB10 YELLOW R	RB11 ORANGE R	RB12 RED R	RB13 GREY R	RB15 FUXIA R

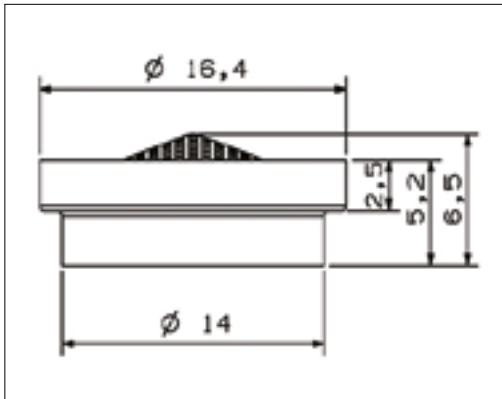
TYPE B0		O-RING MODEL	RB3 PINK	RB4 LIGHT GREY	RB5 GREEN	RB6 BROWN	RB7 BLUE	RB8 BLACK	RB9 WHITE	RB10 YELLOW	RB11 ORANGE	RB12 RED	RB13 GREY	RB15 FUXIA
		O-RING R MODEL	RB3 PINK R	RB4 LIGHT GREY R	RB5 GREEN R	RB6 BROWN R	RB7 BLUE R	RB8 BLACK R	RB9 WHITE R	RB10 YELLOW R	RB11 ORANGE R	RB12 RED R	RB13 GREY R	RB15 FUXIA R

TYPE C		STANDARD MODEL	RC3 PINK	RC4 LIGHT GREY	RC5 GREEN	RC6 BROWN	RC7 BLUE	RC8 BLACK	RC9 WHITE	RC10 YELLOW	RC11 ORANGE	RC12 RED	RC13 GREY	RC15 FUXIA
		R MODEL	RC3 PINK R	RC4 LIGHT GREY R	RC5 GREEN R	RC6 BROWN R	RC7 BLUE R	RC8 BLACK R	RC9 WHITE R	RC10 YELLOW R	RC11 ORANGE R	RC12 RED R	RC13 GREY R	RC15 FUXIA R

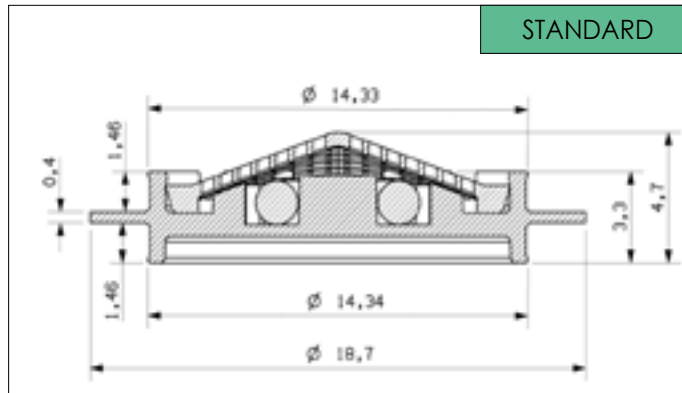
TYPE D		STANDARD MODEL		RD4 LIGHT GREY	RD5 LIGHT GREY	RD6 BROWN	RD7 BLUE	RD8 BLACK	RD9 WHITE					

TYPE E		STANDARD MODEL	RE3 PINK	RE4 LIGHT GREY	RE5 LIGHT GREY	RE6 BROWN	RE7 BLUE	RE8 BLACK	RE9 WHITE	RE10 YELLOW	RE11 ORANGE	RE12 RED	RE13 GREY	RE15 FUXIA
		R MODEL	RE3 PINK R	RE4 LIGHT GREY R	RE5 LIGHT GREY R	RE6 BROWN R	RE7 BLUE R	RE8 BLACK R	RE9 WHITE R	RE10 YELLOW R	RE11 ORANGE R	RE12 RED R	RE13 GREY R	RE15 FUXIA R

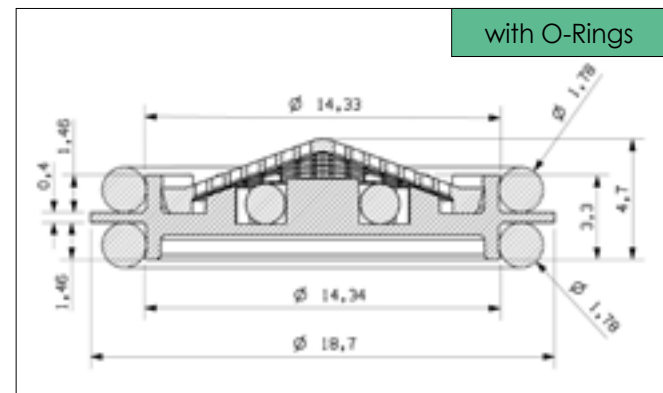
TYPE A



TYPE B



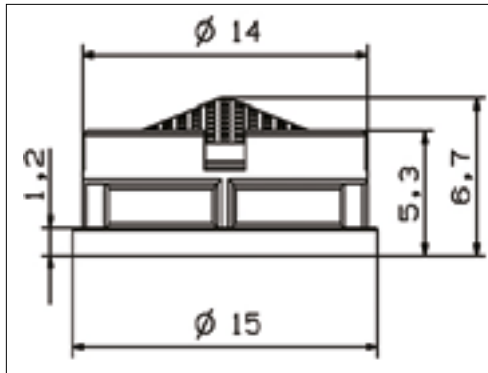
TYPE B0



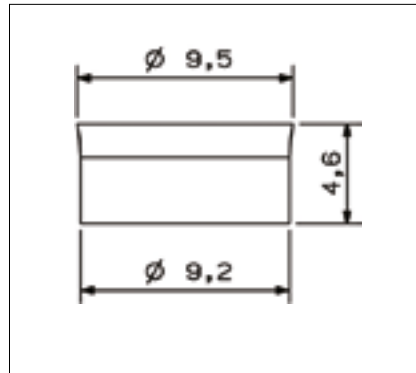
IL REGOLATORE PUÒ ESSERE FORNITO CON 1 OPPURE 2 O-RINGS

FLOW REGULATORS CAN BE SUPPLIED WITH 1 OR 2 O-RINGS

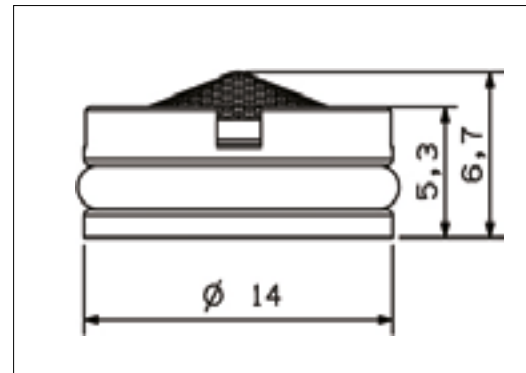
TYPE C



TYPE D



TYPE E



**SEDE ALLOGGIAMENTO
HOUSING DIMENSIONS**

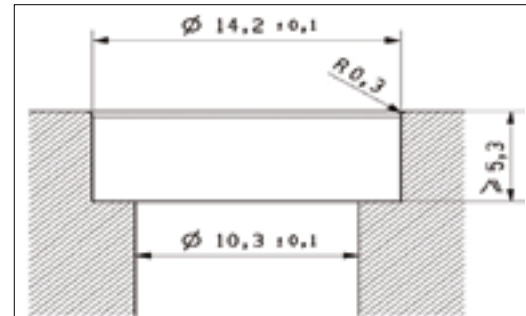
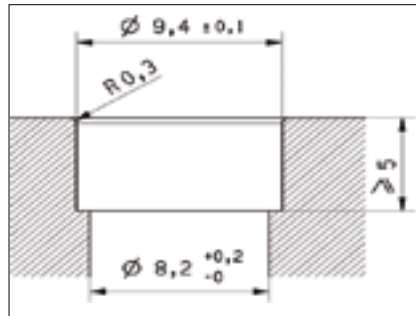
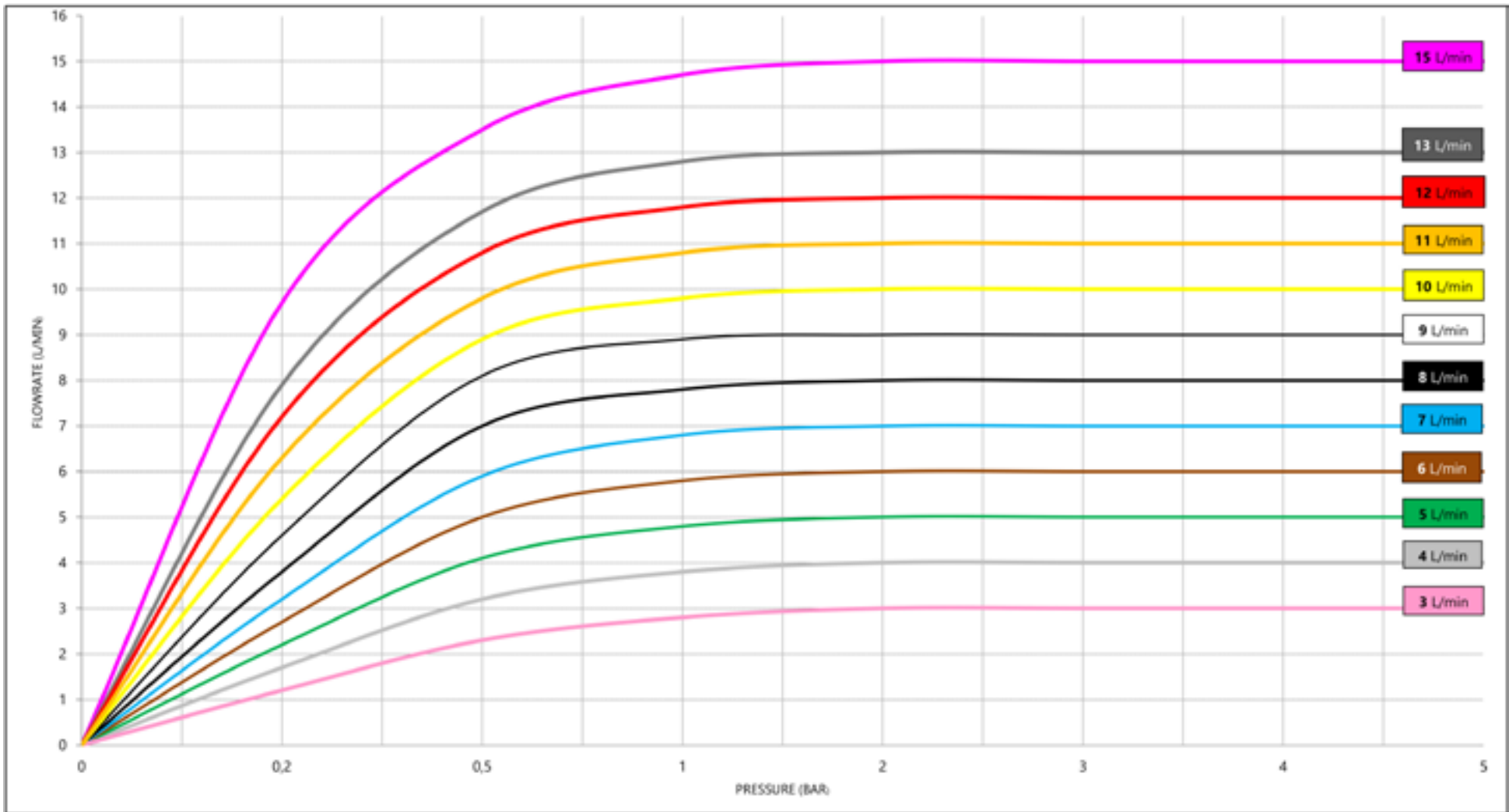


GRAFICO PORTATE REGOLATORI DI FLUSSO - FLOW RATES REGULATORS CHART



TOLLERANZE SULLE PORTATE - FLOW RATES TOLERANCES

< 6 L/min : (da 1,5 a 5 Bar) = +/- 0,6 L/min

=/> 6 L/min : (da 1,5 a 5 Bar) = +/- 10%

< 6 L/min : (from 1,5 to 5 Bar) = +/- 0,6 L/min

=/> 6 L/min : (from 1,5 to 5 Bar) = +/- 10%